

AT10.1 SERIES

FLOAT BATTERY CHARGERS



UL-1564



CSA-C22.2



Seismic Zone 4
Qualification



**Advanced
technology
microprocessor
control**

**Constant potential
DC power supplies
for:**

- Floating & charging stationary batteries
- Power for utility, UPS and communications or industrial type loads

A combination of advanced technology microprocessor control and performance-engineered modular construction make AT10.1 Series chargers and rectifiers easy to set up, easy to operate, and easy to maintain.



APPLICATIONS

Utility & Communications

- Power Generation
- Substations
- Microwave Relay Sites
- Switchgear

Manufacturing

- Emergency dc Power
- DC Operated Breakers
- Alarm Systems

Commercial

- Alarm Systems
- Uninterruptible Power Systems
- DC Control Systems

Transportation

- Signal Systems
- Switchgear
- Alarm Systems

DESIGN FEATURES

Modular Construction

- Rectifier, microprocessor control, input/output, power transformer, filter and alarm assemblies are all modular and easily replaceable.

Thirty-Year Life

- All units are engineered for a greater than 30-year life with an MTBF of 100,000 hours.

Field Service

Less than 60 Minutes

- For fast service, enclosure and instrument panel are easily removable without disturbing chassis or installed conduit. Schematic and diagnostic information plates are mounted on enclosure. Modular construction and self-diagnostics result in an MTTR of less than 60 minutes.

Install on Wall, Stand or Rack

- Units are easily wall mounted, with the exception of larger units which are floor mounted. Floor stands or rack-mounting provisions are optional.

Fast, Online Adjustment

- Control, alarm and operating level set points are adjusted digitally from the front panel while online, without the need to vary loads or external conditions.

Engineered for Safety and Acceptance

Units are designed and tested for worldwide applications

- NEMA Compliant
- UL-1564 NRTL
- CSA C22.2 Certified
- CE/IEC Compliant (Group 2 only)
- Meets FCC requirements for part 15 subpart J class A
- Seismic Zone 4 Analyzed/Qualified

Microprocessor circuits control virtually all functions and settings through front panel switches.

Press to choose digital display of Volts/Amps/Equalize hours remaining.

Press to select float or equalize mode.

Choose from three equalize methods: continuous, timed, or automatically timed after AC interrupt.

Press to adjust voltage settings or timer hours when in EDIT mode. Press to test LED lamps when in normal mode.



1% digital meter shows voltage, amperage and hours. Also displays self-diagnostics error codes.

LED lamps indicate abnormal conditions. A summary relay contact or optional individual relay contacts provide remote indication.

Press to switch to EDIT mode and to ENTER voltage settings and timer hours.

All controls can be disabled for tamper-free operation. Operational conditions remain displayed.

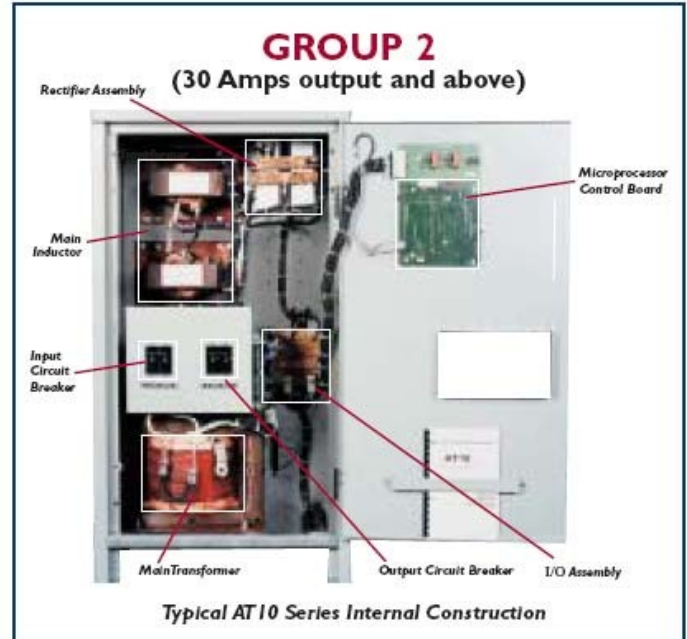
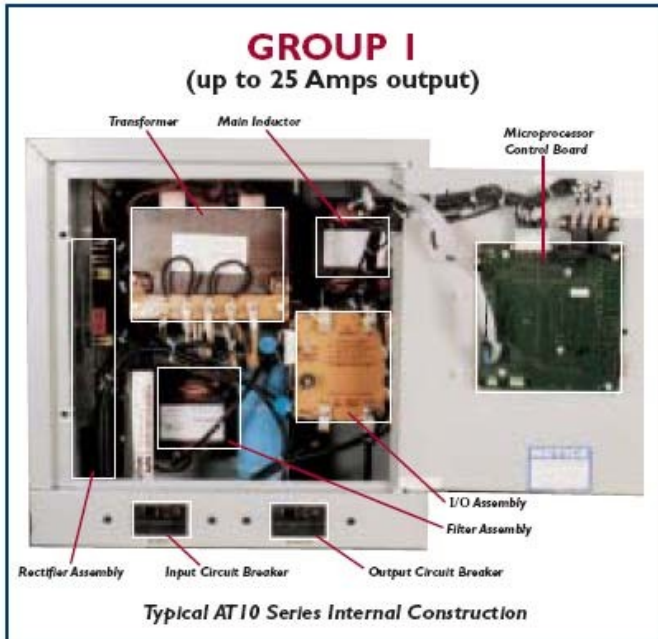
SBC Data Power

1041 W. 18th Street, Suite B104
Costa Mesa, Ca USA 92627
www.sbcdatapower.com
Phone 949 646 8191
Fax 949 258 5288

Email cthompson@sbcdatapower.com

MDS POWER[®] INC.

P.O. Box 532, Champlain, New York 12919
Tel: 800.931.4919 Fax: 800.931.4817



SPECIFICATIONS

AC Input

- **Voltage Group 1:** 120/208/240 Volts 60Hz 480Vac 60Hz 220Vac 50/60Hz (special order) 380/416 Vac 50/60Hz (special order)
- **Voltage Group 2:** Must specify
- **Input Voltage Tolerance:** +10%, -12%
- **Input Frequency Tolerance:** ±5%
- **Efficiency:** 85-90% (typical at 130Vdc) at 50-100% load

DC Output

- **Voltage Ratings:** 12, 24, 48, or 130Vdc nominal
- **Current Ratings:** 6, 12, 16, 20, 25, 30, 40, 50, 75, 100Adc
- **Continuous Rating:** 110% rated current at maximum equalize voltage at 50°C
- **Voltage Regulation:** ±0.25% for line, load and temperature variations
- **Electrical Noise:** 30mVrms/32dBnC weighted maximum on filtered units
- **Surge Withstand Capability:** Meets IEEE-472/ANSI C37.90a

STANDARD FEATURES

- 1% Digital LED meter for Vdc, Adc, timer hours and alarm settings
- AC On Indicating light
- AC Input and dc output circuit breakers
- Float/equalize selector switch with indicating lights
- Manual equalize timer (0-255 hr.) with indicating lights
- AC line failure automatic equalize timer (0-255 hr.) with indicating light
- Self-diagnostics
- Local or remote voltage sense with redundancy to protect against remote sense failure
- High dc voltage shutdown
- Reverse polarity protection
- Front panel controls can be disabled for security
- MOV surge suppressors, input and output
- I/O compression lugs
- Switchboard wire, UL VV-I
- Membrane front panel
- ANSI 61 gray finish, baked epoxy powder
- Alarm assembly with local LEDs and summary relay contact for ac failure, dc failure, high Vdc, low Vdc, positive and negative ground fault

- Redundant control loops for higher reliability
- A redundant analog circuit for LVDC alarm, totally independent of the microprocessor

OPTIONS/ACCESSORIES

- Output filter for 30mVrms ripple with battery
- Battery eliminator filter
- Individual alarm contacts for each of the alarms
- Input lightning arrestor
- Medium or high AIC circuit breakers
- Temperature compensation via remote probe
- Ground pad with #4 AWG lug
- Fungus proofing (tropicalization)
- Floor stand
- Relay rack mounting
- Drip shield
- Cabinet heater
- NEMA 4 or NEMA 12 enclosures
- Provision for locking front panel

Specifications subject to change.

The classic model — with output ratings to 25 Amperes — now with more features!



Cabinet Style 586

(Shown with Optional Penthouse and Drip Shield.)



Cabinet Style 594

AT10.1 Group 1: Input, Output, Heat Loss, Cabinet Style & Shipping Weight

Ampere Rating	6A	12A	16A	20A	25A
AC Input Voltage	120 208 240 480	120 208 240 480	120 208 240 480	120 208 240 480	120 208 240 480
Output Voltage: 12Vdc	Float Adjust: 11.5-14.5Vdc		Equalize Adjust: 12-15.5Vdc		
AC Input Amperes (Nominal)	1.4-0.9-0.8-0.4	2.6-1.5-1.4-0.7	3.6-2.1-1.8-0.9	4.2-2.4-2.1-1.1	5.3-3.1-2.7-1.4
AC Input Circuit Breaker (120V)	10A	10A	10A	10A	10A
DC Output Circuit Breaker	15A	20A	25A	30A	40A
Heat Loss - Watts (BTU/hr.)	43 (146)	77 (264)	100 (341)	123 (420)	151 (517)
Cabinet Style	586	586	586	586	586
Shipping Weight, lb. (kg)	44 (20)	44 (20)	67 (30)	67 (30)	67 (30)
Output Voltage: 24Vdc	Float Adjust: 23-29.5Vdc		Equalize Adjust: 24-31Vdc		
AC Input Amperes (Nominal)	3.2-1.8-1.6-0.8	6.0-3.5-3.0-1.5	7.8-4.5-3.9-2.0	9.6-5.5-4.8-2.4	12-6.9-6.0-3.0
AC Input Circuit Breaker (120V)	10A	10A	15A	15A	15A
DC Output Circuit Breaker	15A	20A	25A	30A	40A
Heat Loss - Watts (BTU/hr.)	56 (190)	94 (321)	120 (409)	146 (497)	178 (609)
Cabinet Style	586	586	586	586	586
Shipping Weight, lb. (kg)	44 (20)	58 (26.3)	75 (34)	75 (34)	75 (34)
Output Voltage: 48Vdc	Float Adjust: 46-57Vdc		Equalize Adjust: 48-61Vdc		
AC Input Amperes (Nominal)	6.5-3.8-3.3-1.7	12-6.9-6.0-3.0	16-9.2-8.0-4.0	20-12-10-5.0	25-14-13-6.3
AC Input Circuit Breaker (120V)	10A	20A	20A	25A	30A
DC Output Circuit Breaker	15A	20A	25A	30A	40A
Heat Loss - Watts (BTU/hr.)	80 (274)	127 (433)	158 (538)	188 (643)	229 (781)
Cabinet Style	586	586	594	594	594
Shipping Weight, lb. (kg)	58 (26)	75 (34)	110 (50)	110 (50)	110(50)
Output Voltage: 130Vdc	Float Adjust: 115-140Vdc		Equalize Adjust: 123-145Vdc		
AC Input Amperes (Nominal)	12-6.9-6.0-3.0	26-15-13-6.5	28-16-14-7.0	34-20-17-8.5	43-25-22-11
AC Input Circuit Breaker (120V)	20A	35A	50A	60A	60A
DC Output Circuit Breaker	15A	20A	25A	30A	40A
Heat Loss - Watts (BTU/hr.)	145 (494)	210 (716)	255 (871)	300 (1023)	351 (1199)
Cabinet Style	586	594	594	594	594
Shipping Weight, lb. (kg)	80 (36)	147 (67)	193 (88)	193 (88)	193 (88)

Models with higher ratings: AT10.1 Group 2 models with single-phase ac input ratings, and dc output ratings to 100Adc, described in this brochure; also SCR/SCRF Series models with dc output ratings to 800Adc at 12 through 260Vdc.



Cabinet Style 5017



Cabinet Style 5018

**Expanded
output ratings —
now to
100 Amperes.
Same great
features as
Group I!**

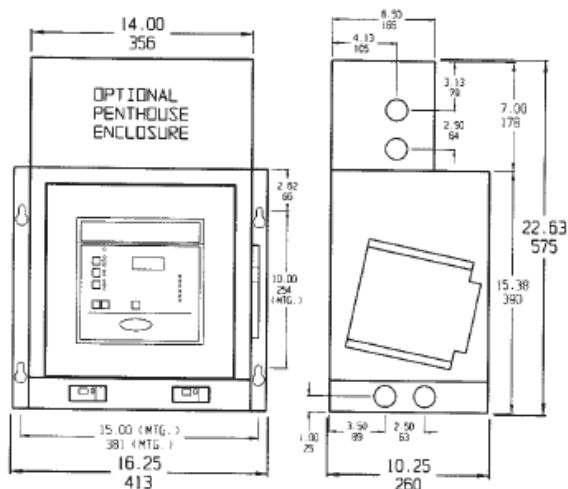
AT10.1 Group 2: Input, Output, Heat Loss, Cabinet Style & Shipping Weight

Ampere Rating	30A	40A	50A	75A	100A
AC Input Voltage	120 208 240 480	120 208 240 480	120 208 240 480	120 208 240 480	120 208 240 480
Output Voltage: 12Vdc	Float Adjust: 11.5-14.5Vdc		Equalize Adjust: 12-15.5Vdc		
AC Input Amperes (Nominal)	7.2-4.1-3.6-1.8	9.6-5.5-4.8-2.4	12-6.9-6.0-3.0	18-10-8.9-4.5	24-14-12-6.0
AC Input Circuit Breaker (120V)	10A	15	15	25	35
DC Output Circuit Breaker	50	60	80	100	150
Heat Loss - Watts (BTU/hr.)	131 (448)	173 (589)	213 (728)	316 (1078)	418 (1428)
Cabinet Style	5017	5017	5017	5018	5018
Shipping Weight, lb. (kg) (Note 2)	140 (63)	155 (70)	170 (77)	220 (100)	280 (127)
Output Voltage: 24Vdc	Float Adjust: 23-29.5Vdc		Equalize Adjust: 24-31Vdc		
AC Input Amperes (Nominal)	13-7.3-6.3-3.2	17-9.7-8.4-4.2	21-12-10.5-5.3	32-18-16-7.9	42-24-21-10.5
AC Input Circuit Breaker (120V)	20	25	35	40	70
DC Output Circuit Breaker	50	60	80	100	150
Heat Loss - Watts (BTU/hr.)	162 (554)	209 (714)	259 (885)	379 (1293)	501 (1709)
Cabinet Style	5017	5017	5017	5018	5018
Shipping Weight, lb. (kg) (Note 2)	150 (68)	180 (82)	190 (86)	250 (113)	320 (145)
Output Voltage: 48Vdc	Float Adjust: 46-57Vdc		Equalize Adjust: 48-61Vdc		
AC Input Amperes (Nominal)	23-13-11-5.6	30-17-15-7.5	38-22-19-9.4	56-33-28-14.1	75-43-38-19
AC Input Circuit Breaker (120V)	35	40	50	70	100
DC Output Circuit Breaker	50	60	80	100	150
Heat Loss - Watts (BTU/hr.)	219 (747)	282 (962)	344 (1174)	498 (1699)	656 (2238)
Cabinet Style	5017	5017	5017	5018	5018
Shipping Weight, lb. (kg) (Note 2)	170 (77)	220 (100)	240 (109)	340 (154)	440 (200)
Output Voltage: 130Vdc	Float Adjust: 115-140Vdc		Equalize Adjust: 123-145Vdc		
AC Input Amperes (Nominal)	53-31-26.5-13.3	71-41-35-18	89-51-44-22	133-77-66-33	
AC Input Circuit Breaker (120V)	70	100	Note 1	Note 1	
DC Output Circuit Breaker	50	60	80	100	
Heat Loss - Watts (BTU/hr.)	366 (1250)	459 (1567)	556 (1897)	793 (2708)	
Cabinet Style	5017	5018	5018	5018	
Shipping Weight, lb. (kg) (Note 2)	220 (100)	300 (136)	300 (136)	440 (200)	

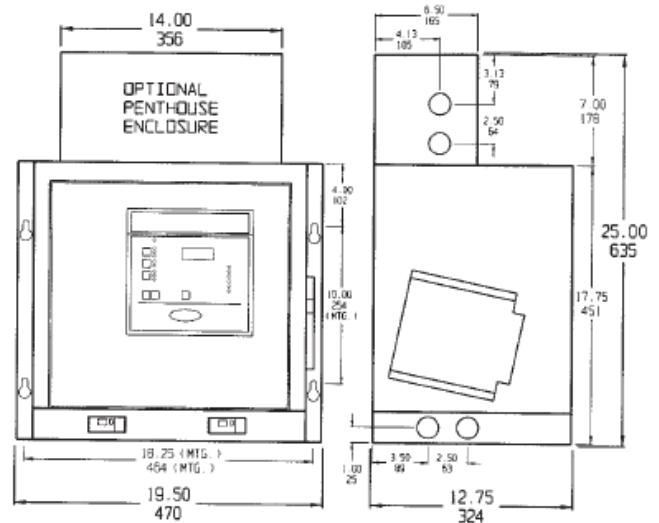
Models with higher ratings: SCR/SCRF Series models are available with dc output ratings to 800Adc at 12 through 260Vdc.
 NOTES: 1. 120Vac input not available. 2. Shipping weights are approximate.

GROUP 1

(Cabinet dimensions shown are in inches/millimeters.)



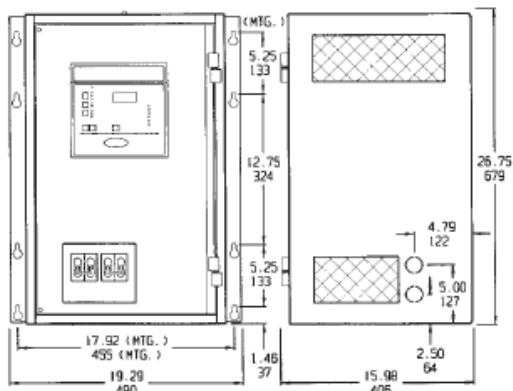
Cabinet Style 586



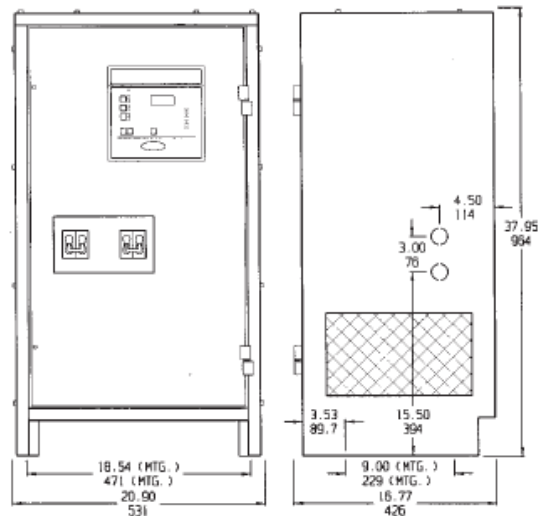
Cabinet Style 594

GROUP 2

(Cabinet dimensions shown are in inches/millimeters.)



Cabinet Style 5017



Cabinet Style 5018